

LV100Q-12

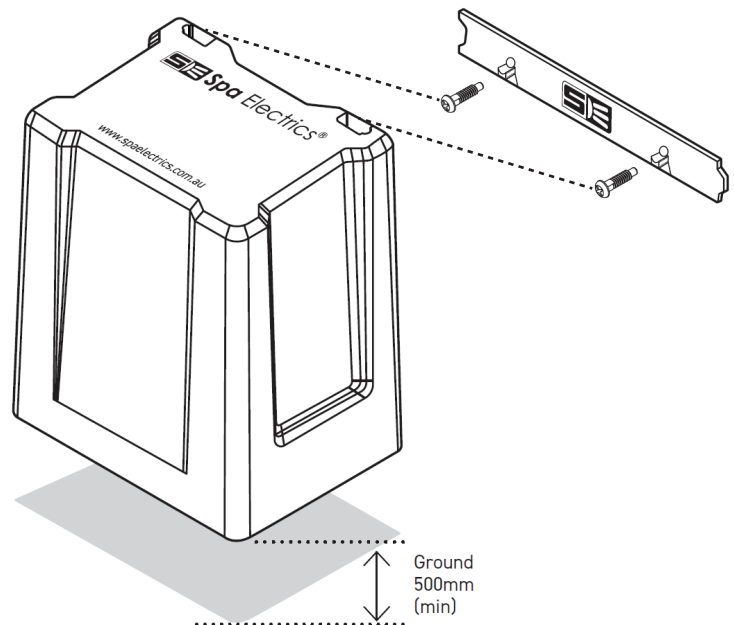
LOW VOLTAGE TRANSFORMER

INSTALLATION GUIDE

INSTALLATION

Ensure that the unit is installed at least 3.5 metres away from the pool and/or spa and at a minimum of 500mm above ground level.

Fasten the transformer mounting bracket to the wall. The transformer can then be mounted onto the bracket.



CABLE TERMINATION

The LV100Q-12 transformer has 4 outputs, each with a pair of terminals. Each cable core should be terminated as follows:

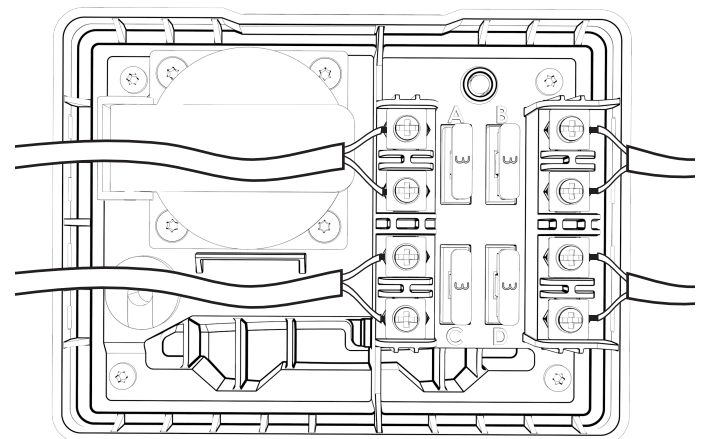
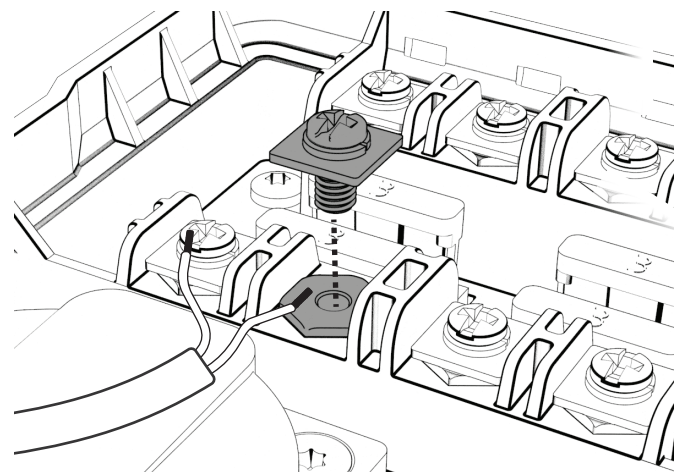
1. Loosen the terminal screw and clamp plate from the terminal bolt. (These parts are joined and will loosen together). You do not need to fully remove the screw and clamp plate, only loosen.

2. Place one of the stripped ends of the cable on top of the terminal bolt. Tighten the clamp plate and screw on top of the cable end to secure it in place. As the Transformer outputs AC power the cable orientation is not important.

For the second cable core, repeat these steps on the adjacent terminal.

Spa Electrics recommends the use of an Electrical Contractor or Pool Technician for connection of the Pool Light to the Transformer.

Do not remove the plug. This equipment **MUST** be plugged into a protected outlet installed by an Electrician.



FOR ASSISTANCE PLEASE
CONTACT SPA ELECTRICS

ph: +61 3 9793 2299
info@spaelectrics.com.au
www.spaelectrics.com.au



LV100Q-12

LOW VOLTAGE TRANSFORMER

INSTALLATION GUIDE

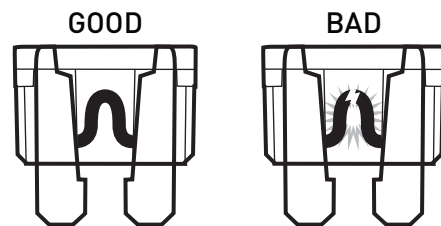
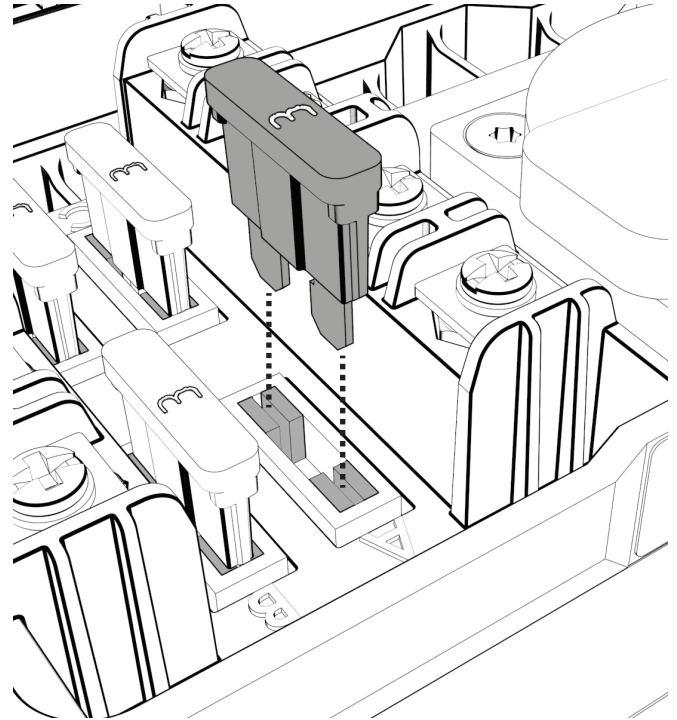
CHECKING THE FUSE

The LV100Q-12 transformer includes 4 x 3amp blade fuses, one for each output. The fuse is designed to protect the transformer and light cable from shorts & over loading, which may lead to the premature replacement of the transformer.

The following steps show how to check if your transformer fuse has blown:

1. Turn power off to the transformer.
2. Remove the fuse, the fuse may be held firmly in the fuse holder, if so it may be necessary to use a pair of needle nose pliers to gently remove the fuse.
3. Check the center of the fuse for breaks. If the fuse has blown, first check all cable connections for shorts before replacing the fuse.

Note: Spa Electrics uses generic blade fuses, which can be purchased from any quality auto parts/Electrical retailer.



TECHNICAL SPECIFICATION

TRANSFORMER RATING

Input: 230-240VAC ~ 50Hz

Output: 4 X 25W 12VAC ~ 50Hz switched

Auxiliary GPO: 230-240VAC ~ 50hz 10amp Max Total

IP Rating: IP44

FUSE & OUTPUT OPTIONS

4 x 25W Outputs using 4 terminals:

4 x 3A 12VAC Blade Fuse

1 x 100W Output on 1 terminal only:

1 x 15A 12VAC Blade Fuse

TROUBLE SHOOTING

CONDITION	PROBABLE CAUSE	REMEDY
No Output Power	No Input Power	Check that LED Power light is illuminated. If this LED light is not illuminated, there is no power from the GPO to the transformer. If power is available at GPO and the LED is illuminated, contact Spa Electrics for further assistance.
	Blown Fuse	Check fuse, if the fuse has blown, first check all cable connections for shorts before replacing the fuse. If fuse wire is intact, contact Spa Electrics for further assistance.

FOR ASSISTANCE PLEASE
CONTACT SPA ELECTRICS

ph: +61 3 9793 2299
info@spaelectrics.com.au
www.spaelectrics.com.au

