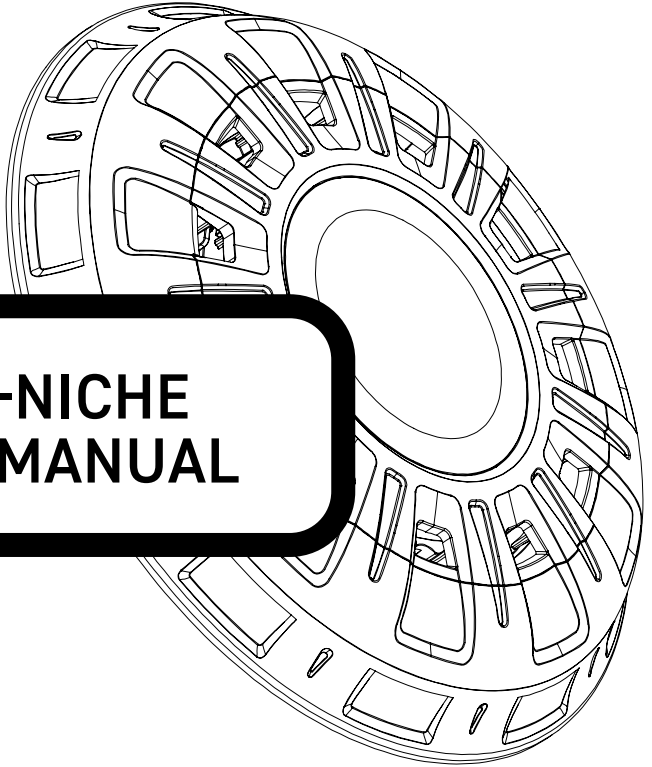


**SE Spa Electrics®**

***retro***®

REPLACEMENT LED POOL LIGHT



**STANDARD-NICHE  
RETRO FIT MANUAL**

**AGRX R1**

**INSTALLATION & OWNER'S MANUAL**

# CONTENTS

|                                   |    |
|-----------------------------------|----|
| QUICK REFERENCE TABLE             | 3  |
| READ THIS FIRST                   | 3  |
| TOOLS REQUIRED                    | 4  |
| INCLUDED PARTS                    | 5  |
| TRANSFORMER VERIFICATION          | 6  |
| LIGHT REMOVAL                     | 7  |
| CABLE PREPARATION                 | 8  |
| ADAPTOR PLATE INSTALLATION        | 18 |
| ADAPTOR INSTALL                   | 19 |
| ADAPTOR INSTALL - TYPE B          | 20 |
| AGRX 001 SUNLINE ADAPTOR ASSEMBLY | 22 |
| POST INSTALLATION CHECK           | 23 |

## PRODUCT SUPPORT AND INFORMATION

Telephone: 03 9793 2299 (Business hours 8:30 – 4:30)

### SALES ENQUIRIES

E. sales@spaelectrics.com.au

### TECHNICAL SUPPORT

E. tech@spaelectrics.com.au

[www.spaelectrics.com.au](http://www.spaelectrics.com.au)

# QUICK REFERENCE TABLE

| LIGHT MODEL   | POOL TYPE             | SCREW LOCATIONS                      | ADDITIONAL PARTS (SOLD SEPARATELY) |
|---|-----------------------|--------------------------------------|------------------------------------|
| <b>ASTRAL SLX / ARC / DELTA</b>                     | CONCRETE              | <b>D-D-D</b> (TRIM SCREW LOCATION A) |                                    |
| ASTRAL SLX / ARC / DELTA                            | FIBREGLASS            | <b>D-D-D</b> (TRIM SCREW LOCATION A) | AGRX 004R1                         |
| <b>AQUAQUIP EVO2, EVOMAX, AQUASTAR &amp; AURORA</b> | CONCRETE              | C-C                                  |                                    |
| AQUAQUIP EVO2, EVOMAX, AQUASTAR & AURORA            | FIBREGLASS            | C-C                                  | AGRX 004R1                         |
| AUTUMN SOLAR NICHE LIGHT                            | CONCRETE / FIBREGLASS | N/A                                  | AGRX 002                           |
| <b>SPA ELECTRICS WN SERIES</b>                      | CONCRETE              | B-B                                  |                                    |
| SPA ELECTRICS WN SERIES                             | FIBREGLASS            | B-B                                  | AGRX 004R1                         |
| SUNLINE   | CONCRETE / FIBREGLASS | N/A                                  | AGRX 001R1                         |
| WATERCO BRITESTREAM / BRITESTREAM 165               | CONCRETE              | A-A                                  |                                    |
| WATERCO BRITESTREAM 165                             | FIBREGLASS            | A-A                                  | AGRX 004R1                         |

## READ THIS FIRST

This booklet contains important information about the correct installation and handling of the AGRX Series lights. **Please read this booklet carefully** before commencing installation to familiarise yourself with the included parts, accessories and correct installation procedures.

### BEFORE YOU START

- If required, ensure that the transformer is installed by a suitable qualified persons (e.g., registered pool builder and/or qualified electrician), in accordance with AS/NZS 3000:2018 standards.
- For safe and proper installation, ensure that only those parts supplied with the system are used.
- Check that there is enough cable behind the existing light to allow for servicing above water, preferably at ground-level pool-side.
- Ensure the pool light end of cable is circular and free of damage or imperfections i.e., cuts, cracks or deformation. If possible, trim back until fresh end of cable is available.
- Confirm existing transformer is a iron core type, 12V AC ONLY and in good working order (If in doubt contact Spa Electrics).

### CLEANING

- Only use warm water and a soft brush or cloth to clean AGRX Series. DO NOT use detergents or spirits as this can damage the light and void your warranty.

### USE

- Operating the light for at least 15 minutes every week is advised (all year round)
- AGRX Series lights are suited for both domestic and commercial installations.

## WARNING



- The **AGRX Series** light must only be powered by a 12V AC iron core type transformer.
- DO NOT use electronic or switch-mode transformers with **AGRX Series** lights. These transformers will damage the light and void your product warranty.
- Pool chemicals & pH levels: Due to the corrosive nature of unbalanced pool chemicals, Spa Electrics strongly recommends that your pool water is balanced prior to installing your pool lights or any plastic or stainless-steel components and tested weekly to maintain these levels. pH level should be maintained between 7.2 – 7.6 at all times to ensure the longevity of these components.
  - Failure to do so can result in chemical damage to the light housing and pool fittings, including stainless steel components
  - Please note: Lights or components found to have excessive chemical damage will not be covered under our manufacturer's warranty policy
- This light contains no user-serviceable parts; opening the light will void the product warranty.

## TOOLS REQUIRED

✓ Flat-blade screw driver

✓ Cable stripper/Side cutters

✓ Phillips Head (No 2) screw-driver

✓ Pliers

## IMPORTANT NOTES

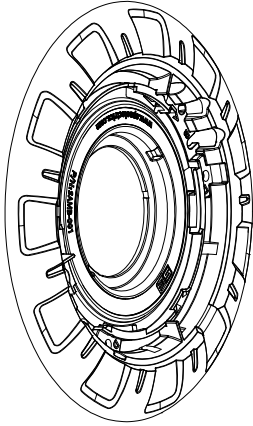


The use of power tools (such as 240V and cordless drills) during installation is not recommended as these devices can cause faults and damage to light components.

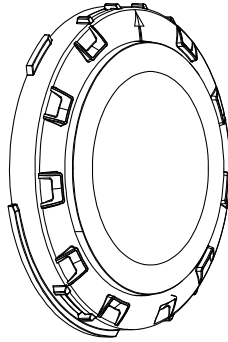
**If you are unsure, please contact Spa Electrics**

# INCLUDED PARTS

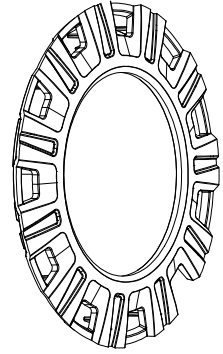
MODEL: AGRX R1



**R1 ADAPTOR PLATE**  
(P/N: SAMB 001)



**AGRX LIGHT**



**R1 RIM**  
(P/N: SAMB 002)

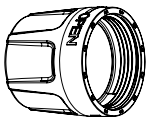


**LANOLIN**

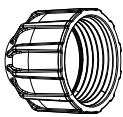


**1 X WARRANTY  
CARD**

## PLUG ASSEMBLY (P/N: AGRX 003)



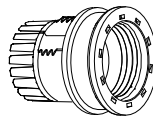
Connector  
Collar



Gland  
Nut



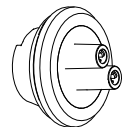
Glands X 3  
Sizes Provided



Connector  
Barrel



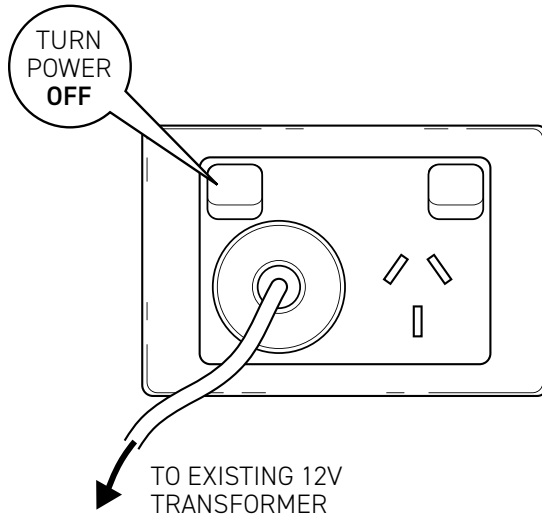
Strain Relief  
Clip  
(Optional)



Screw Terminal  
End with filling  
screws attached

# TRANSFORMER VERIFICATION

## 1 TURN POWER OFF



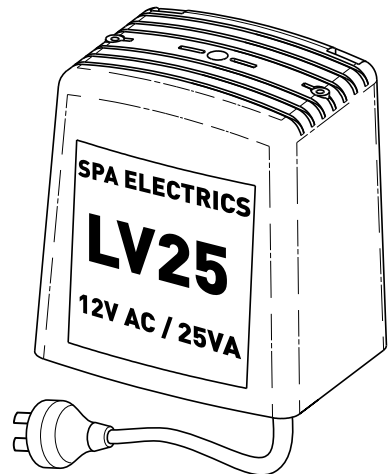
## 2 CHECK TRANSFORMER

### EXISTING TRANSFORMER MUST BE:

- 12V AC ONLY
- MIN 15 WATT (PER LIGHT)
- IN GOOD WORKING ORDER

### EXISTING TRANSFORMER MUST NOT BE:

- DC OR LED DRIVER
- ELECTRONIC OR SWITCH MODE
- WEATHER DAMAGED OR IN OTHERWISE POOR CONDITION



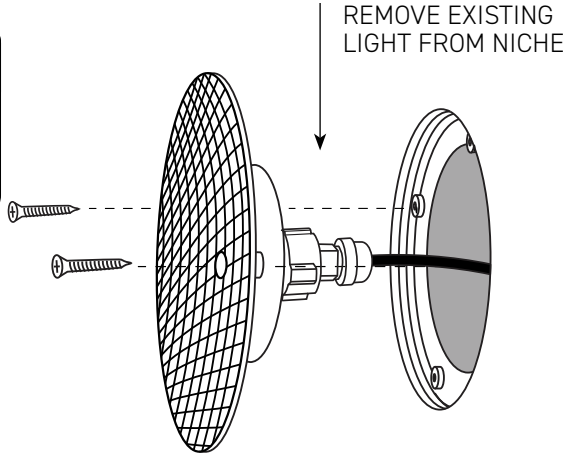
# LIGHT REMOVAL

## 1 REMOVE EXISTING LIGHT

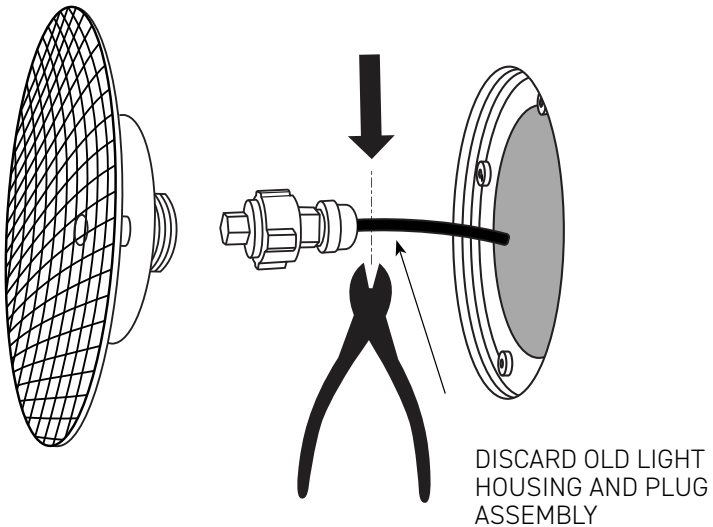
### IMPORTANT



RETAIN EXISTING  
MOUNTING SCREWS.  
SEE PAGE 12



## 2 DISCONNECT EXISTING LIGHT



# CABLE PREPARATION

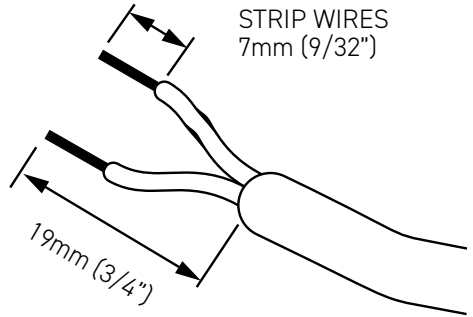
## 1 CABLE PREPARATION

STRIP POWER CABLE  
TO SPECIFIED LENGTH

### NOTE



IF CABLE LENGTH ALLOWS,  
CUT CABLE BACK UNTIL  
FRESH COPPER APPEARS.



STRIP WIRES  
7mm (9/32")

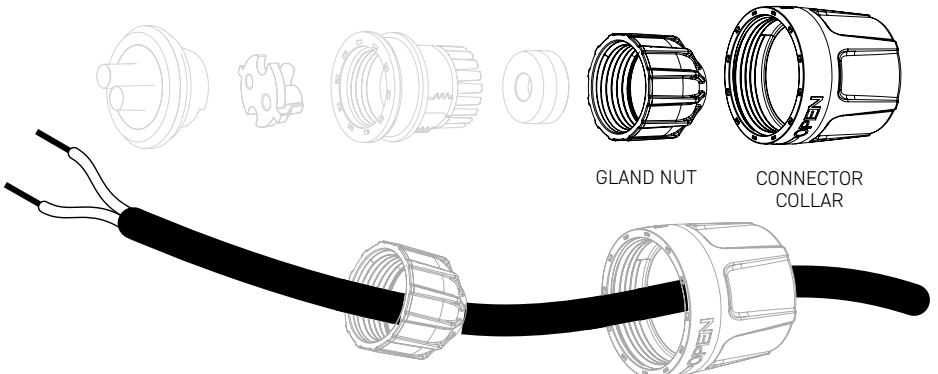
19mm (3/4")

## 2 START ASSEMBLY OF CONNECTOR PLUG

### LANOLIN USE



GENTLY WARM  
LANOLIN  
BEFORE USE



GLAND NUT

CONNECTOR  
COLLAR

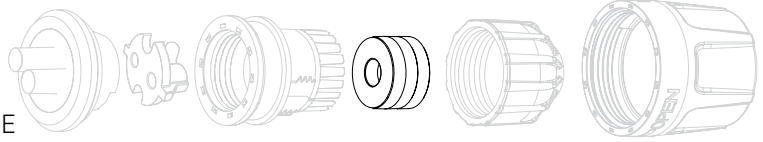
FEED THE CONNECTOR COLLAR AND GLAND NUT ONTO  
THE CABLE, AS SHOWN



### 3

## CHOOSE THE APPROPRIATE GLAND

SELECT A CABLE GLAND FROM THE THREE SUPPLIED THAT SNUGLY FITS THE EXISTING POWER CABLE



GLANDS  
X 3 SIZES  
PROVIDED



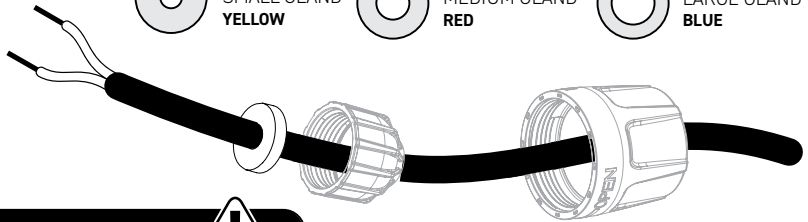
SMALL GLAND  
YELLOW



MEDIUM GLAND  
RED



LARGE GLAND  
BLUE



### IMPORTANT

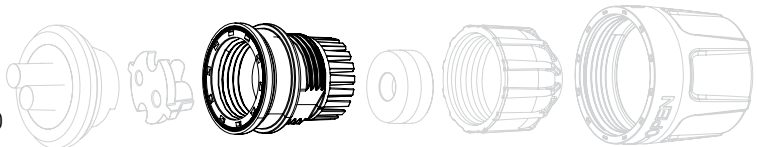


IF GLAND IS EXCESSIVELY TIGHT OR BULGING WHEN FITTED, REPLACE WITH LARGER GLAND SIZE.

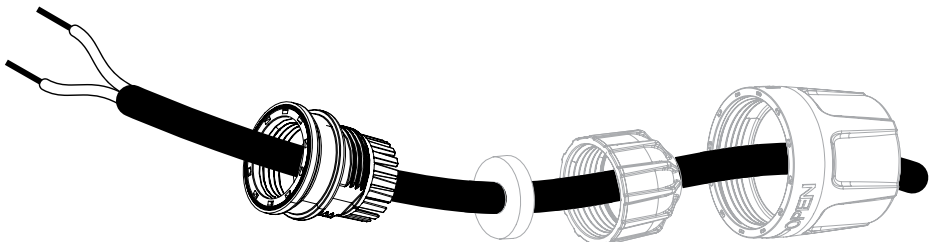
### 4

## CONTINUE ASSEMBLY OF CONNECTOR PLUG

FEED THE CONNECTOR BARREL ONTO THE CABLE



CONNECTOR  
BARREL

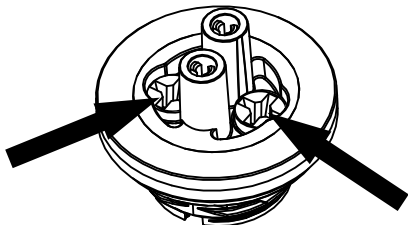


# 5

## CHECK SCREWS ON SCREW TERMINAL END

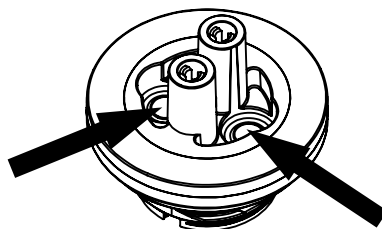
CHECK IF SCREWS ARE PRESENT IN THE TOP OF THE SCREW TERMINAL END

### WITH SCREWS



USE A MANUAL PHILLIPS HEAD SCREWDRIVER TO ENSURE THAT THE 2 SCREWS INDICATED ARE FULLY SEATED. PROCEED TO STEP 6.

### WITHOUT SCREWS

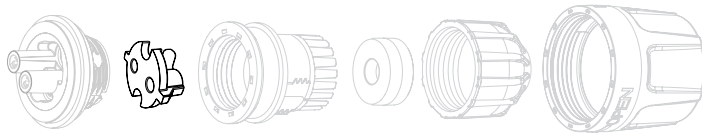


CHECK THERE ARE NO HOLES IN THE INDICATED LOCATIONS.

PROCEED TO STEP 6.

# 6

## CHECK SCREWS ON SCREW TERMINAL END



STRAIN RELIEF CLIP  
(OPTIONAL)

**OPTION 1:** WHEN USING THE LARGE CABLE GLAND, THE STRAIN RELIEF CLIP IS NOT REQUIRED.  
FOLLOW STEP 7A (IGNORE STEP 7B).

**OPTION 2:** THE STRAIN RELIEF CLIP MUST BE USED WHEN THE SMALL OR MEDIUM CABLE GLAND IS USED.  
FOLLOW STEP 7B (IGNORE STEP 7A).

### STRAIN RELIEF CLIP REQUIRED



SMALL  
GLAND



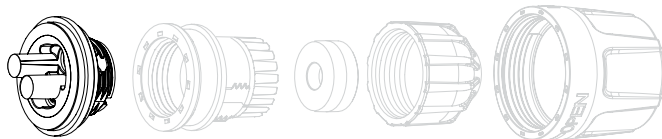
MEDIUM  
GLAND



LARGE  
GLAND

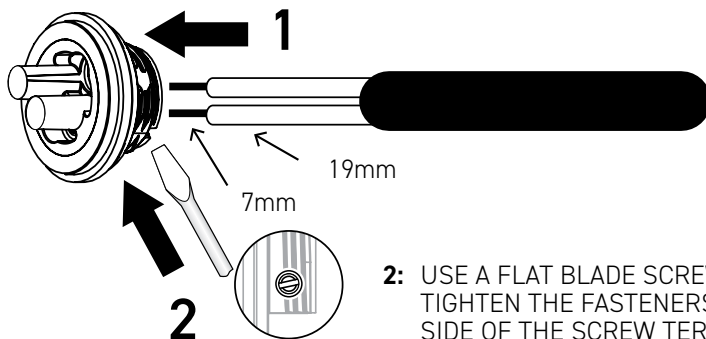
# 7A

## CONNECT THE SCREW TERMINAL END



SCREW TERMINAL END

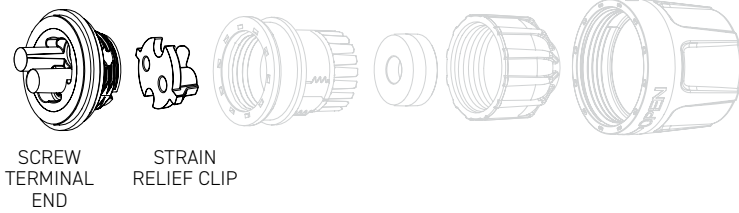
**1:** FEED THE TWO STRIPPED CABLE ENDS THROUGH THE TWO HOLES IN THE BACK OF THE SCREW TERMINAL END



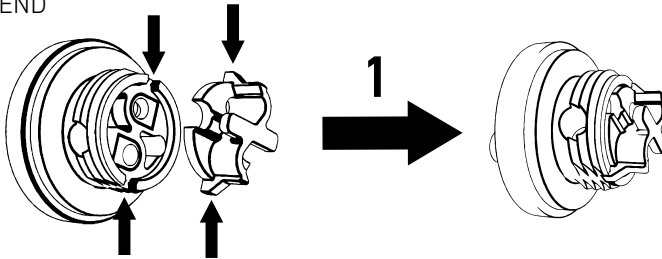
**2:** USE A FLAT BLADE SCREWDRIVER TO TIGHTEN THE FASTENERS ON EITHER SIDE OF THE SCREW TERMINAL

# 7B

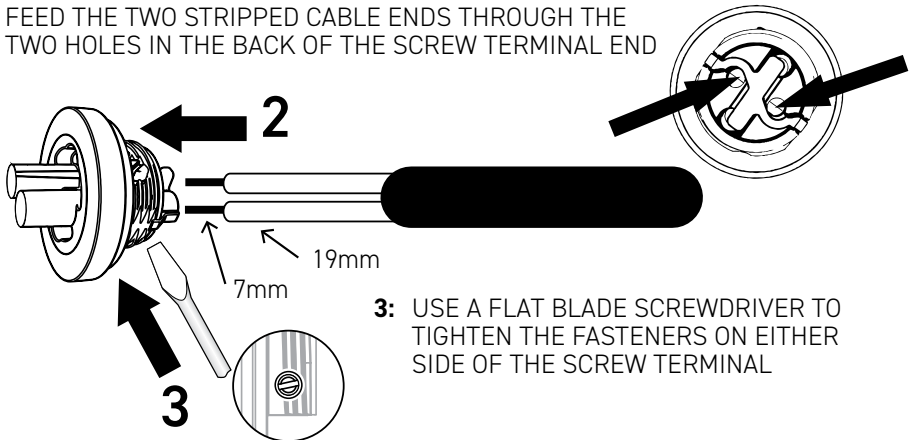
## CONNECT THE SCREW TERMINAL END



**1:** ATTACH THE STRAIN RELIEF CLIP TO THE SCREW TERMINAL END

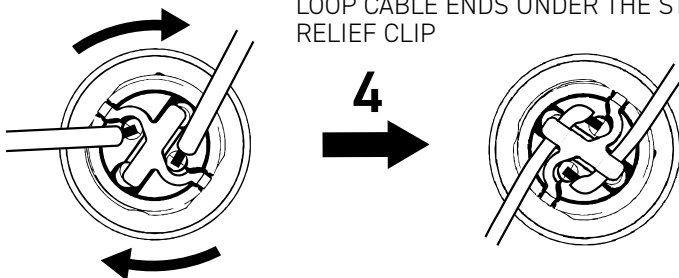


**2:** FEED THE TWO STRIPPED CABLE ENDS THROUGH THE TWO HOLES IN THE BACK OF THE SCREW TERMINAL END



**3:** USE A FLAT BLADE SCREWDRIVER TO TIGHTEN THE FASTENERS ON EITHER SIDE OF THE SCREW TERMINAL

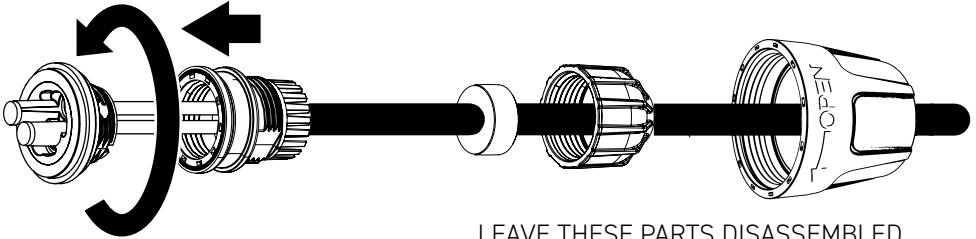
**4:** TWIST THE SCREW TERMINAL AND LOOP CABLE ENDS UNDER THE STRAIN RELIEF CLIP



# 9

## START ASSEMBLY OF CONNECTOR PLUG

CAREFULLY THREAD CONNECTOR BARREL ONTO SCREW TERMINAL AND TIGHTEN FIRMLY BY HAND



LEAVE THESE PARTS DISASSEMBLED UNTIL AFTER ADDING LANOLIN

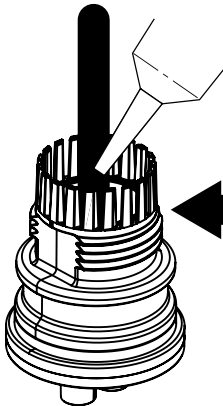
# 10

## ADD LANOLIN

### LANOLIN USE



GENTLY WARM  
LANOLIN  
BEFORE USE



FILL BACK OF CONNECTOR BARREL WITH LANOLIN UP TO THE INDICATED POINT

FILL TO HERE  
(ALLOWING ROOM FOR GLAND)

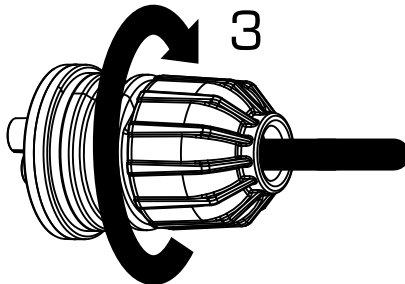
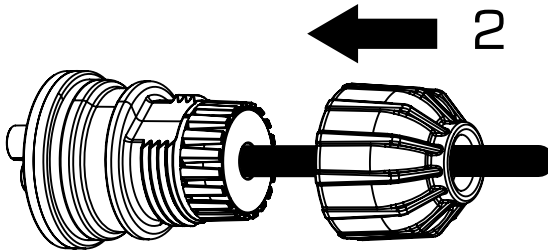
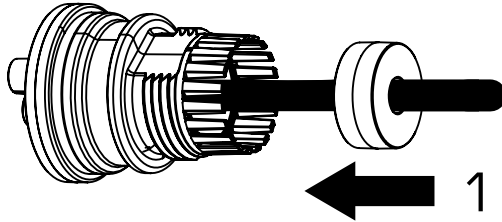
# 12

## CONTINUE ASSEMBLY OF CONNECTOR PLUG

**1:** SEAT CABLE GLAND ALL THE WAY INTO CONNECTOR (DO A VISUAL CHECK TO MAKE SURE A SEAL BETWEEN GLAND AND CABLE)

**2:** CAREFULLY THREAD GLAND NUT ONTO CONNECTOR BARREL

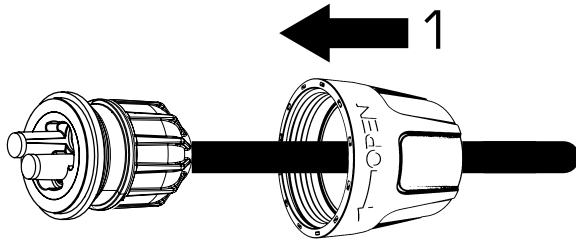
**3:** TIGHTEN GLAND NUT FIRMLY BY HAND



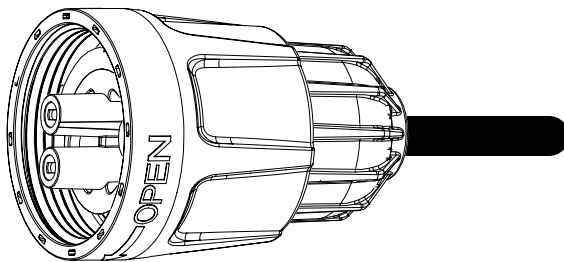
# 13

## CONTINUE ASSEMBLY OF CONNECTOR PLUG

1: SLIDE CONNECTOR COLLAR ALL THE WAY TO THE END READY FOR ATTACHMENT TO THE LIGHT ASSEMBLY

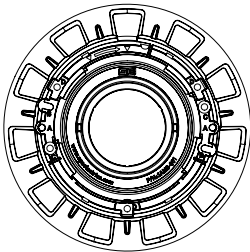


**ASSEMBLED VIEW OF CONNECTOR PLUG**

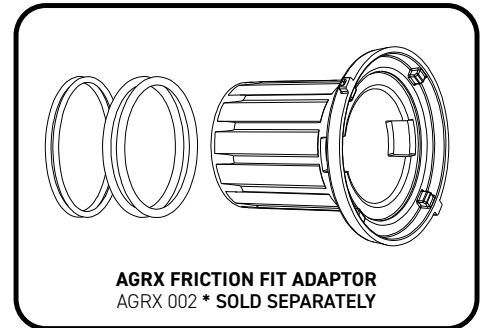
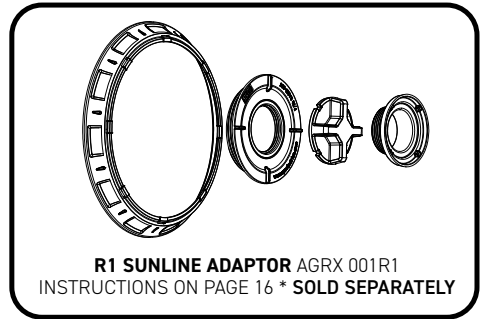


# ADAPTOR PLATE INSTALLATION

| LIGHT MODEL   | POOL TYPE             | SCREW LOCATIONS                      | ADDITIONAL PARTS (SOLD SEPARATELY) |
|---|-----------------------|--------------------------------------|------------------------------------|
| <b>ASTRAL SLX / ARC / DELTA</b>                     | CONCRETE              | <b>D-D-D</b> (TRIM SCREW LOCATION A) |                                    |
| ASTRAL SLX / ARC / DELTA                            | FIBREGLASS            | <b>D-D-D</b> (TRIM SCREW LOCATION A) | AGRX 004R1                         |
| <b>AQUAQUIP EV02, EVOMAX, AQUASTAR &amp; AURORA</b> | CONCRETE              | C-C                                  |                                    |
| AQUAQUIP EV02, EVOMAX, AQUASTAR & AURORA            | FIBREGLASS            | C-C                                  | AGRX 004R1                         |
| AUTUMN SOLAR NICHE LIGHT                            | CONCRETE / FIBREGLASS | N/A                                  | AGRX 002                           |
| <b>SPA ELECTRICS WN SERIES</b>                      | CONCRETE              | B-B                                  |                                    |
| SPA ELECTRICS WN SERIES                             | FIBREGLASS            | B-B                                  | AGRX 004R1                         |
| SUNLINE   | CONCRETE / FIBREGLASS | N/A                                  | AGRX 001R1                         |
| WATERCO BRITESTREAM / BRITESTREAM 165               | CONCRETE              | A-A                                  |                                    |
| WATERCO BRITESTREAM 165                             | FIBREGLASS            | A-A                                  | AGRX 004R1                         |



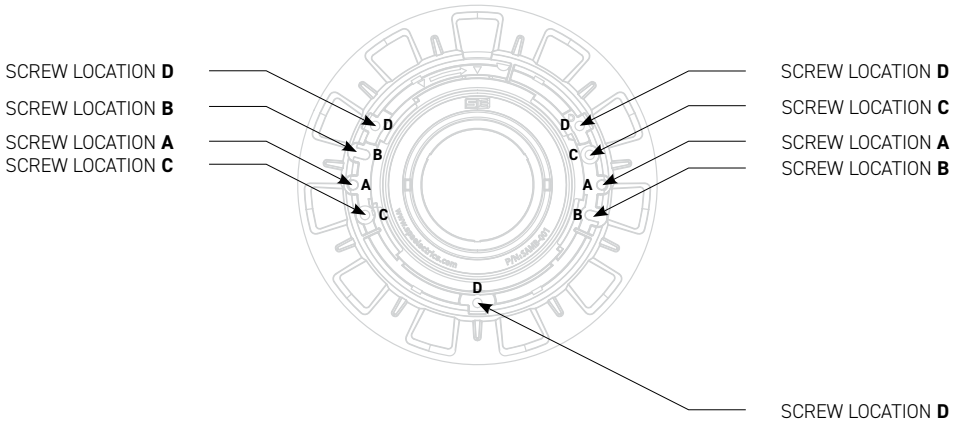
**R1 ADAPTOR PLATE**  
(P/N: SAMB 001)





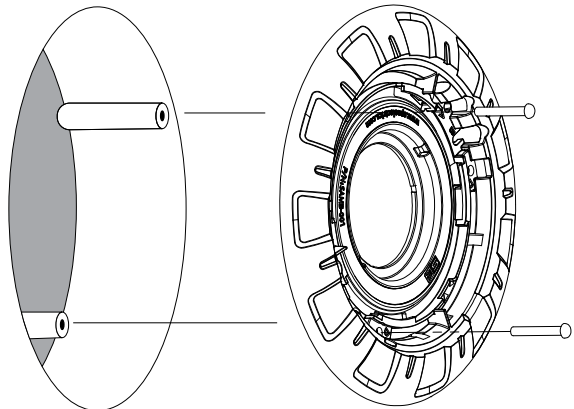
# ADAPTOR INSTALL

## 1 IDENTIFY SCREW POSITIONS



## 2 ATTACH ADAPTOR PLATE

PLACE THE ADAPTOR PLATE OVER THE NICHE AND FASTEN **USING EXISTING SCREWS**



### 3

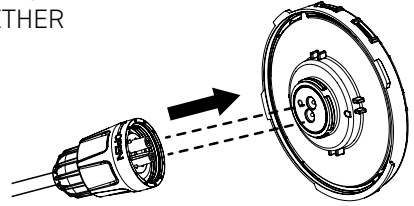
## CONNECT THE TERMINALS

ALIGN THE TERMINAL PINS ON PLUG AND BACK OF LIGHT ASSEMBLY AND FIRMLY CONNECT TOGETHER

### IMPORTANT NOTES



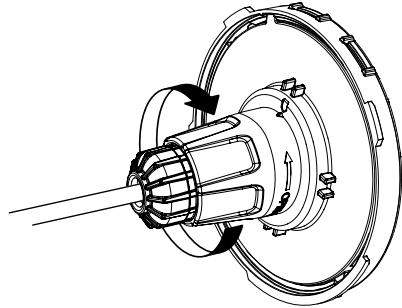
- DO NOT ADD SEALANTS, GREASES OR ADHESIVES
- ENSURE ALL SURFACES ARE CLEAN AND DRY
- **DO NOT ASSEMBLE UNDERWATER**



### 4

## FASTEN PLUG TO LIGHT

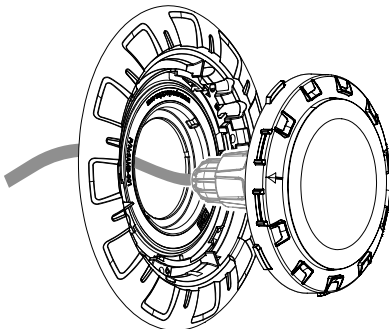
THREAD PLUG COLLAR ONTO AGRX LIGHT AND TIGHTEN FIRMLY BY HAND



### 5

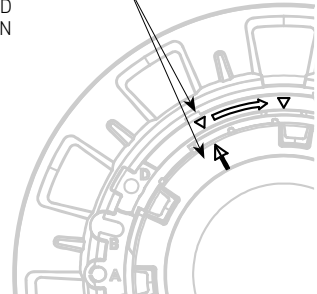
## INSTALL LIGHT ONTO SMALL ADAPTOR PLATE

ALIGN THE ARROW ON THE LIGHT WITH THE LEFT ARROW (11 O'CLOCK POSITION) ON THE SMALL ADAPTOR PLATE



Align Arrows

ARROW ALIGNMENT  
SHOWING UNLOCKED  
POSITION

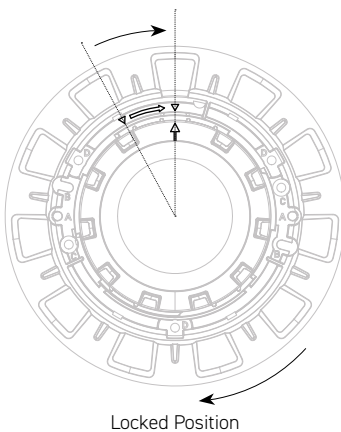


Unlocked Position

# 5

## STEP 5 CONTINUED...

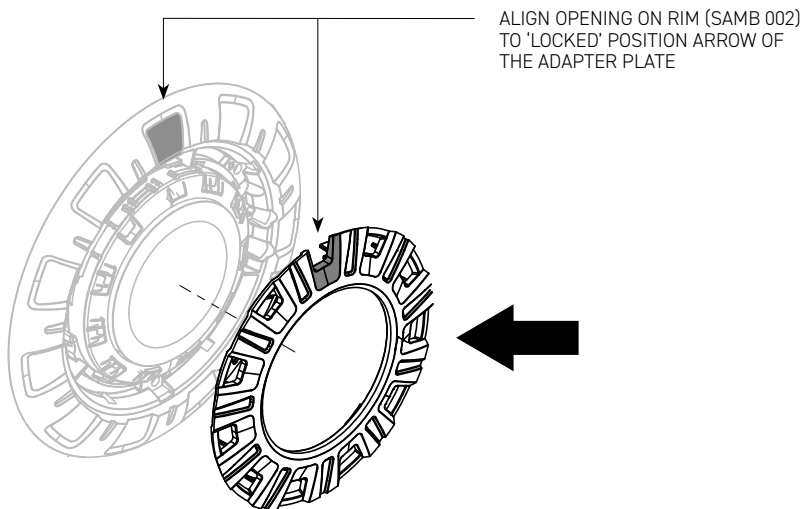
TWIST LIGHT CLOCKWISE UNTIL TOP ARROWS ALIGN



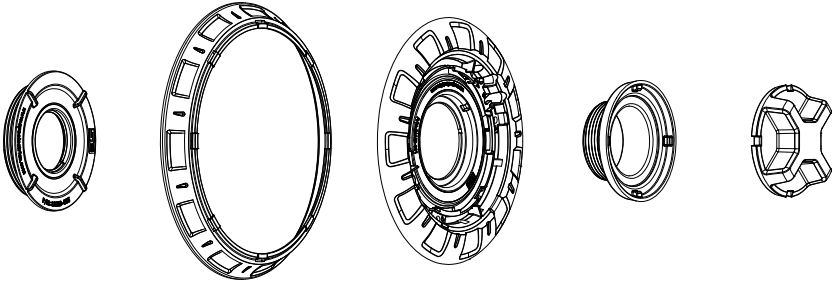
# 6

## CLIP ON RIM

ALIGN THE ARROW ON THE RIM WITH THE TOP ARROW (12 O'CLOCK POSITION) ON THE ADAPTOR PLATE. PRESS THE RIM ONTO THE LIGHT BY HAND



# AGRX 001 SUNLINE ADAPTOR ASSEMBLY



**SUNLINE ADAPTOR**  
(P/N: SAMB 005)

**R1 FIBREGLASS SKIRT**  
(P/N: SAMB 004)

**R1 ADAPTOR PLATE**  
(P/N: SAMB 001)

**THREADED COLLAR**  
(P/N: VIVO 041)

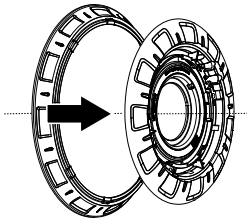
**ADAPTOR TOOL**  
(P/N: VIVO 045)

## STEPS

### SUNLINE ADAPTOR INSTALLATION

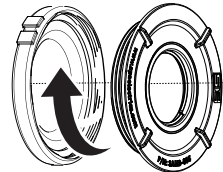
#### STEP 1

ATTACH ADAPTOR SKIRT TO AGRX R1 ADAPTOR PLATE



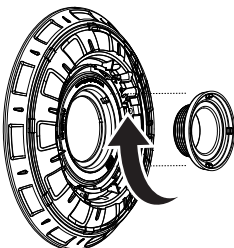
#### STEP 2

THREAD SUNLINE ADAPTOR INTO EXISTING NICHE. TIGHTEN FIRMLY BY HAND



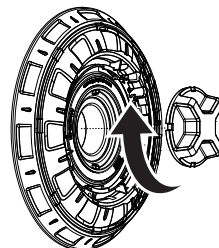
#### STEP 3

AFFIX AGRX R1 ADAPTOR PLATE TO NICHE USING ADAPTOR COLLAR. START THREAD BY HAND & CONTINUE TO STEP 4



#### STEP 4

FIRMLY SECURE AGRX R1 ADAPTOR PLATE TO NICHE USING ADAPTOR TOOL PROVIDED







 **Spa Electrics**<sup>®</sup>

© COPYRIGHT 2022 SPA ELECTRICS PTY. LTD.  
ALL RIGHT RESERVED

2024 01 25