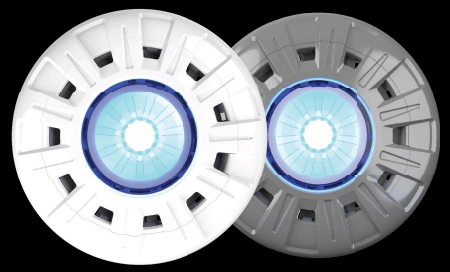


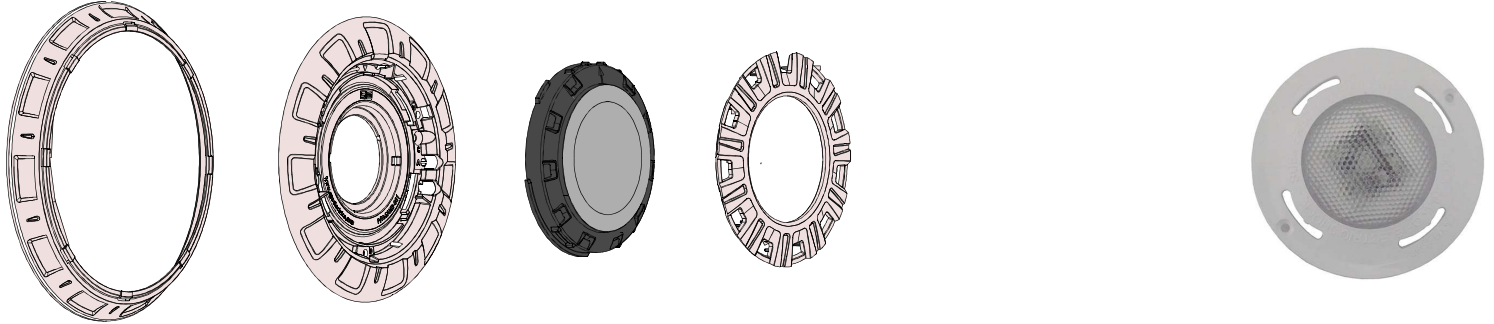
AGRX R1

UNIVERSAL STANDARD-NICHE LIGHT



AQUAQUIP EVO, EVO 2, EVO MAX & AQUASTAR (USE SUPPLIED PARTS + AGRX 004R1 FOR FIBREGLASS)

Suitable for Concrete & Fibreglass

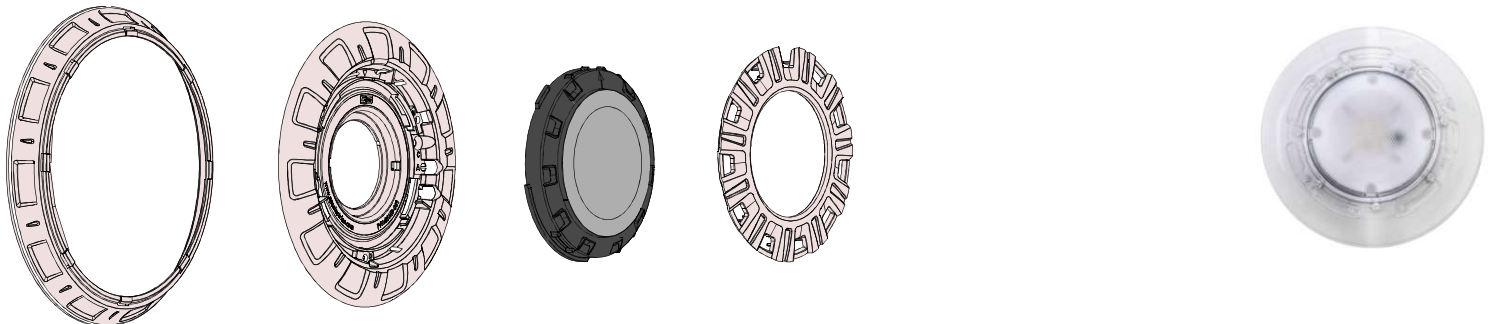


AGRX 004R1 **Order Separately** (Fibreglass Only)

Use existing screws : Location C-C on R1 Adapter Plate

ASTRAL SLX, ARC & DELTA (USE SUPPLIED PARTS + AGRX 004R1 FOR FIBREGLASS)

Suitable for Concrete & Fibreglass

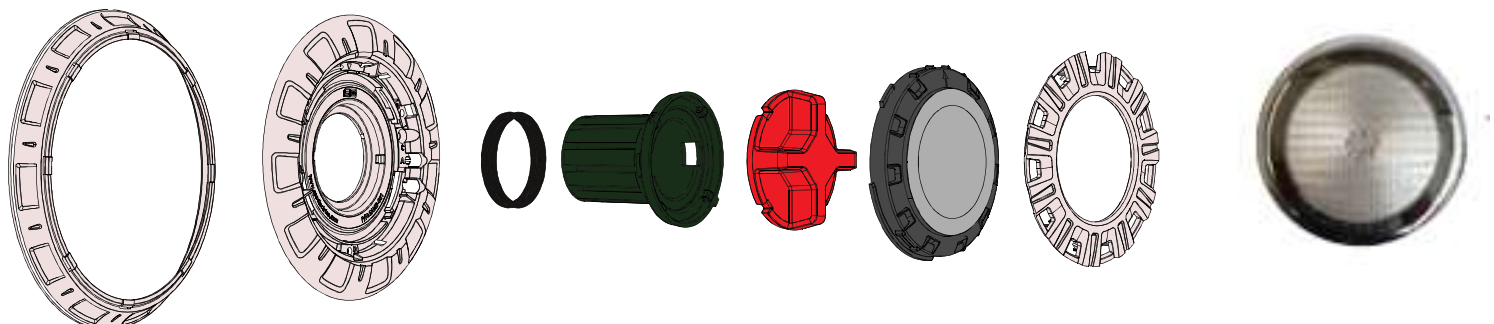


AGRX 004R1 **Order Separately**
(Fibreglass Only)

Use existing screws : Location D-D-D on R1 Adapter Plate (Trim screw location A prior to install)

AUTUMN SOLAR LARGE NICHE (USE SUPPLIED PARTS + AGRX 002 + AGRX 004R1 FOR FIBREGLASS)

Suitable for Concrete & Fibreglass

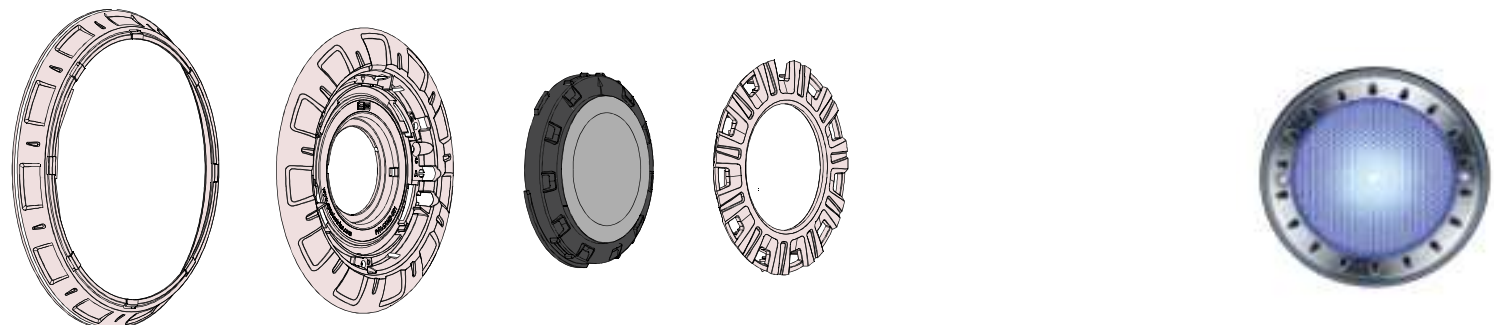


AGRX 004R1-**Order Separately**
(Fibreglass Only)

AGRX 002 **Order Separately**
(3mm O'RING)

SPA ELECTRICS WN/WNF (USE SUPPLIED PARTS + AGRX 004R1 FOR FIBREGLASS)

Suitable for Concrete & Fibreglass

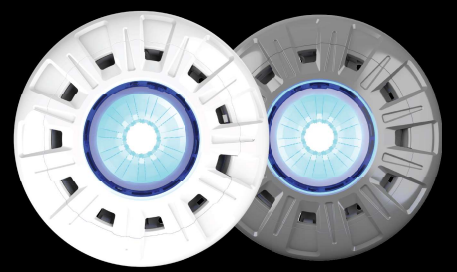


AGRX 004R1-**Order Separately** (Fibreglass Only)

Use existing screws: Location B-B on R1 Adapter Plate

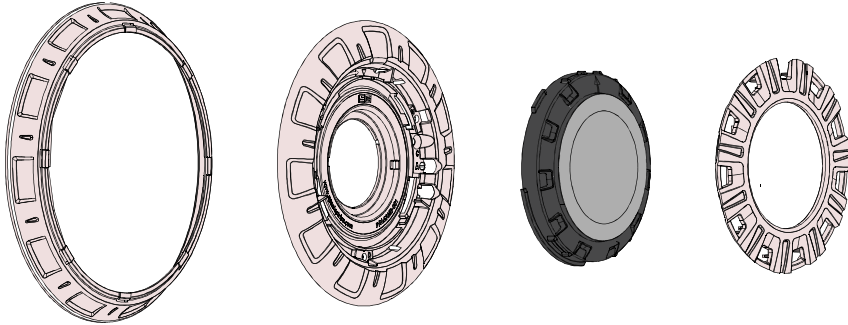
AGRX R1

UNIVERSAL STANDARD-NICHE LIGHT



SPA ELECTRICS WN150 (USE SUPPLIED PARTS + AGRX 004R1)

Suitable for Concrete & Fibreglass

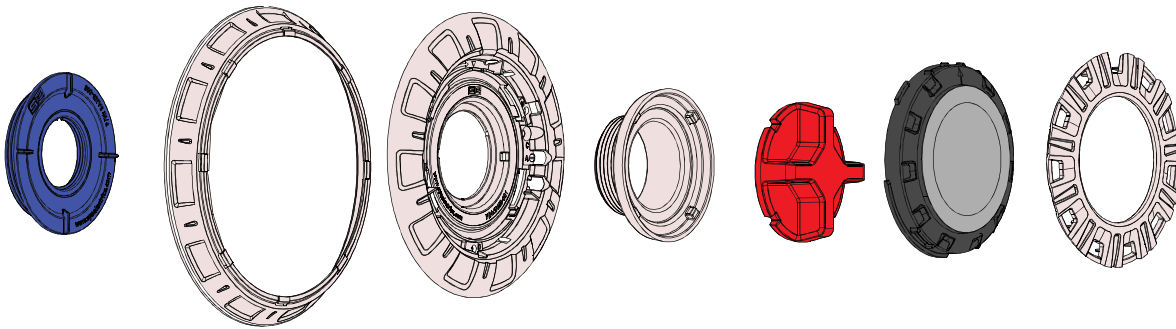


AGRX 004R1 Order Separately
(Fibreglass & Concrete)

Use existing screws : Location B-B on R1 Adapter Plate

SUNLINE/RIVENDALE (USE SUPPLIED PARTS + AGRX 001)

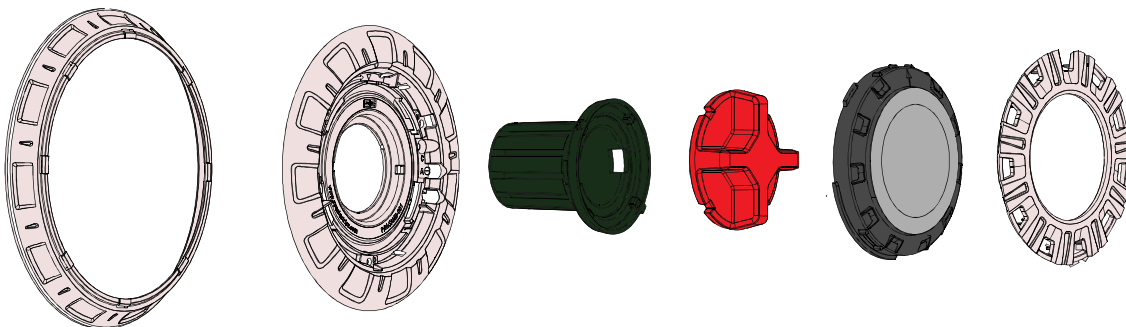
Suitable for Concrete & Fibreglass



AGRX 001 Order Separately

**WATERCO SLIM 165 (USE SUPPLIED PARTS +
AGRX 002 FOR FIBREGLASS & AGRX 004R1 FOR FIBREGLASS)**

Suitable for Concrete & Fibreglass



AGRX 004R1 Order Separately
(Fibreglass Only)

AGRX 002 Order Separately
(Fibreglass Only)
(O'Ring not required)

Use existing screws

For more information, refer to www.spaelectrics.com.au/retro-fit
Or contact info@spaelectrics.com.au